

Ball valves · Electrical 5-way 1¼"



Electrical 5-way ball valve 1¼"

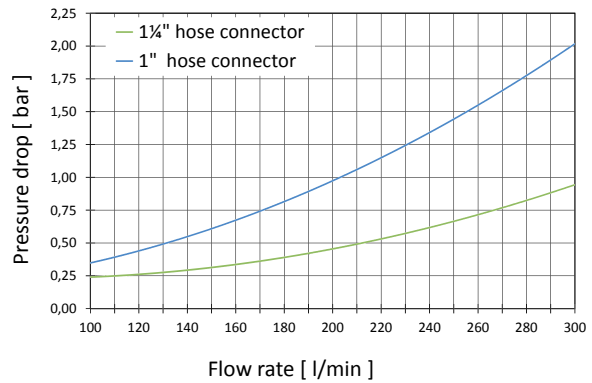
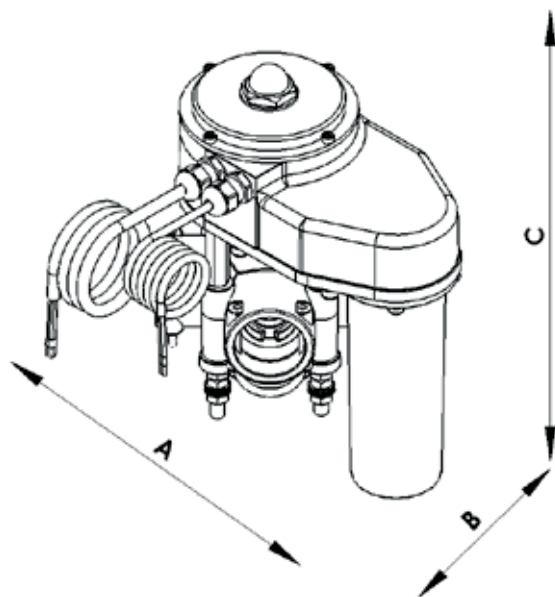
- individual adjustable seals
- high wear resistance
- integrated emergency operation
- optional: special connectors are available

Operating time pressure: max. 15 bar
 Flow rate: max. 300 l/min
 Inlet-ø: 1x AS40
 Outlet-ø: 4x AS40
 Ball valve: POM+PTFE
 Nominal voltage: 12 Volt
 Switch time: 360°/3,0 s
 Material: POM GF 25, PA, FPM and NBR seals

Options:

- Adapter for special connectors
- configurations of several ball valves are available upon request

A	B	C
235	190	190
Specified in mm		



Article-No.	Type
47947	Electrical 5-way ball valve 1¼"
Recommended fittings	
80352	Plug-in hose tail AS40/ø20/90° cpl
09184	Plug-in hose tail AS40/ø25/90° cpl
08874	Plug-in hose tail AS40/ø33/90° cpl
08275	Plug-in hose tail AS40/ø39/90° cpl
80353	Plug-in hose tail AS40/ø20 cpl
04595	Plug-in hose tail AS40/ø25 cpl
04581	Plug-in hose tail AS40/ø33 cpl
06247	Plug-in hose tail AS40/ø39 cpl
80333	Blindstopfen AS40 cpl
82614	Adapter Plug-in hose tail AS40/ Banjo 2" cpl
More Fittings: see section Fittings AS40	

