



Electrical 5-way ball valve 2" Smart Series

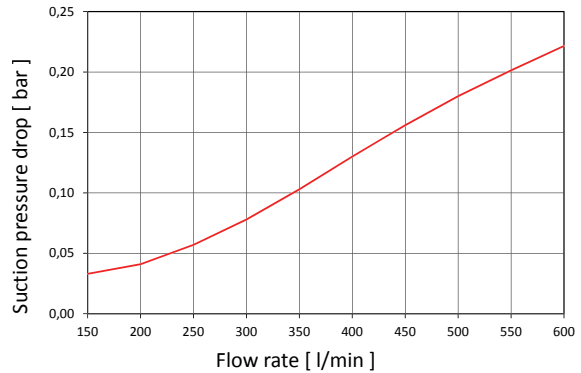
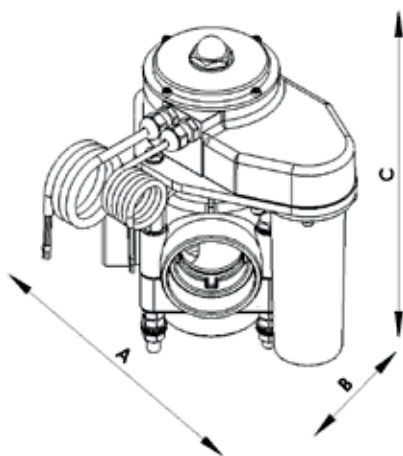
- Programmable Right and Left turning direction or both ways with the option to have two ports open for flushing the systems.
- To avoid deposit on the ball is it possible to change the direction of turning manually or automatically.
- In case of slow or rough-running of the drive the vibration mode can be used to free the ball. The choice can be either manual or automatic
- Network via CAN- or ISO-Bus systems, with the advantage of very high precision and the possibility for online-diagnoses. It is simple to integrate the ball valve operating electronic in the Hardware of OEM's

Operating time pressure: max. 3 bar
 Flow rate: max. 600 l/min
 Inlet- ϕ : 2"
 Outlet- ϕ : 2"
 Ball valve: POM+PTFE
 Nominal voltage: 12 Volt
 Switch time: 360°/3,0 s
 Material: POM GF 25, PA, FPM and NBR seals

Options:

- Adapter for special connectors
- configurations of several ball valves are available upon request

| A | B | C |
|-----------------|-----|-----|
| 220 | 155 | 235 |
| Specified in mm | | |



| Article-No. | Type |
|--|--|
| 83450 | Electrical 5-way ball valve 2" Smart Series |
| Recommended fittings | |
| 47713 | Adapter for connector KH2/D1=47 cpl |
| 47883 | Adapter for connector KH2/D1=63 cpl |
| 47737 | Fitting G2/female cpl |
| 47735 | Fitting G2/male/L=47,5 cpl |
| 47736 | Fitting G2/male/L=75 cpl |
| 47587 | Nut G2 $\frac{3}{4}$ for Fitting G2 Di=52,5 mm |
| 47733 | Nut G2 $\frac{3}{4}$ for Fitting G2 Di=68 mm |
| More Fittings: see section Fittings AS40 | |

