



Electrical Boom Section Valve . Quick-Fit Valve

Quick-Fit Valve, 2-way

- fastest possible sprayer assembly with the altek plug-in system
- built extremely slim to be fully integrated into the spray boom
- three different electrical connections
- direct electrical control (plus/minus) or with control signal (7mA) by relay
- large flow rates at a low pressure drop
- for boom section hoses up to $\varnothing 32$ mm
- modular building system

Maximum pressure: 12 bar
 Voltage: 12 Volt
 Control options: direct plus/minus or control signal 7mA by relay
 Switch time: 0,5 s - control gear
 Material: POM GF 25, stainless steel: 1.4305, FPM and NBR seals

Electrical drive

Three wire, control by relay
 control signal (-): 12Volt/0Volt=closed/open

Three wire, control by relay
 control signal (+): 12Volt/0Volt=open/closed

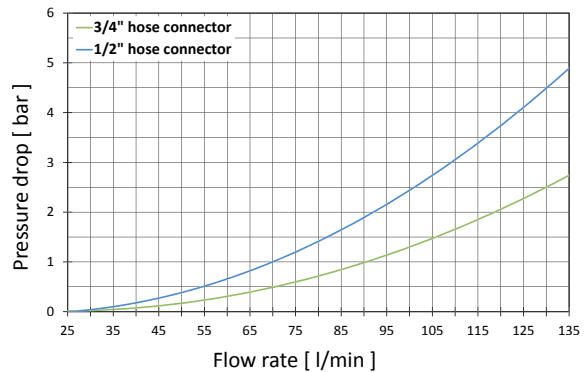
Two wire direct control - plus/minus

Electrical connections

Plug-in connection DIN-EN 175 301

Cable 1m

AMP - plug



Recommended Fittings AS24

Article-No.	Type
34230	Female hose tail AS24/ $\varnothing 15$
34229	Female hose tail AS24/ $\varnothing 17$
34227	Female hose tail AS24/ $\varnothing 20$
80349	Female hose tail AS24/ $\varnothing 15/90^\circ$
80350	Female hose tail AS24/ $\varnothing 20/90^\circ$
47094	Female hose tail AS24/AS20 cpl

Recommended Fittings AS40

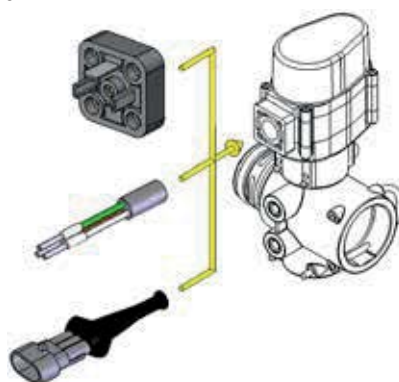
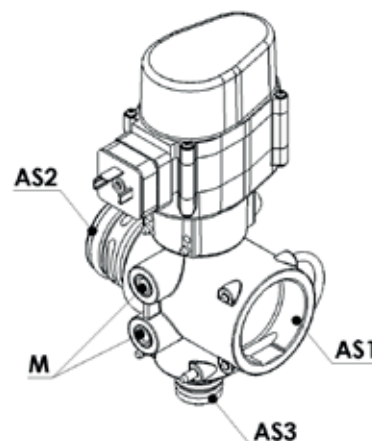
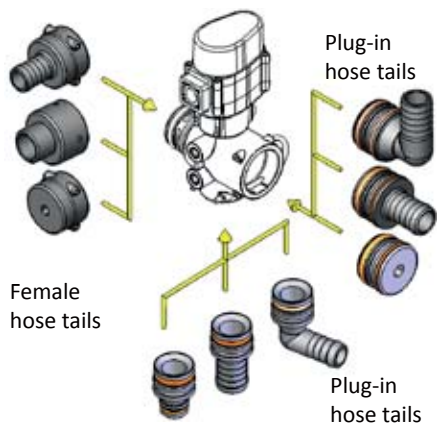
04595	Plug-in hose tail AS40/ $\varnothing 25$ cpl
04581	Plug-in hose tail AS40/ $\varnothing 33$ cpl
09184	Plug-in hose tail AS40/ $\varnothing 25/90^\circ$ cpl
80357	Female hose tail AS40/ $\varnothing 25$
34232	Female hose tail AS40/ $\varnothing 33$
47993	Blind cap AS40

Recommended Fittings AS30 with valve seat 120°

00420	Plug-in hose tail AS30/ $\varnothing 20$ cpl
81119	Plug-in hose tail AS30/ $\varnothing 25$ cpl
01399	Plug-in hose tail AS30/ $\varnothing 33$ cpl
33793	Plug-in hose tail AS30/ $\varnothing 33/90^\circ$ cpl
80378	Plug-in hose tail AS30/AS24 cpl

More Fittings: see AS plug-in fittings, AS30

Electrical Boom Section Valve . Quick-Fit Valve



Valve with cable 1m						
Article-No.	Type	AS1	AS2	AS3	M	D
80553	Quick-Fit Valve, 2-WAY, AS24, 3-W, L=1m, (-)	40	40	24	M8	-
80556	Quick-Fit Valve; 2-WAY, AS24, 3-W, L=1m, (+)	40	40	24	M8	-
80558	Quick-Fit Valve, 2-WAY, AS24, 2-W, L=1m	40	40	24	M8	-
81534	Quick-Fit Valve, 2-WAY, AS30/ø25, L=1m, (+)	40	40	-	M8	ø25
Valve with plug connection DIN 175301						
80554	Quick-Fit Valve, 2-WAY, AS24, 3-W, DIN 175301, (-)	40	40	24	M8	-
80557	Quick-Fit Valve, 2-WAY, AS24, 3-W, DIN 175301, (+)	40	40	24	M8	-
81172	Quick-Fit Valve, 2-WAY, AS24, 2-W, DIN 175301	40	40	24	M8	-
81535	Quick-Fit Valve, 2-WAY, AS30/ø25, DIN 175301, (+)	40	40	-	M8	ø25
Valves with AMP-plug						
81533	Quick-Fit Valve, 2-WAY, AS24, 3-W, AMP, (-)	40	40	24	M8	-
80503	Quick-Fit Valve, 2-WAY, AS24, 3-W, AMP, (+)	40	40	24	M8	-
80559	Quick-Fit Valve, 2-WAY, AS24, 2-W, AMP	40	40	24	M8	-
81536	Quick-Fit Valve, 2-WAY, AS30/ø25, AMP, (+)	40	40	-	M8	ø25