

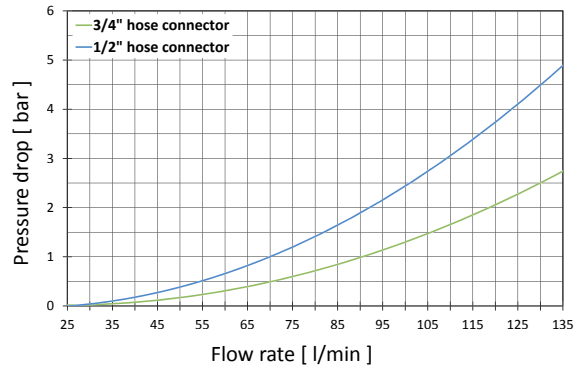


Electrical Boom Section Valve . Modular-Fit Valve

Modular-Fit Valve, 2-way with pressure relief

- modular pressure relief and/or circulating system
- three different electrical connections
- direct electrical control (plus/minus) or with control signal (7mA) by relay
- high flow rates with low pressure loss
- valve assemblies available to individual configuration
- for section hoses up to $\varnothing 19$ mm
- modular building assembly

Maximum pressure: 12 bar
 Voltage: 12 Volt
 drive options: direct plus/minus or control signal 7mA by relay
 Switch time: 0,5 s - control gear
 Material: stainless steel: 1.4305, POM GF 25, FPM and NBR seal



Modular-Fit valve assemblies are possible from 1 to 15 sections valves. All valve assemblies can be made to your specific requirements.

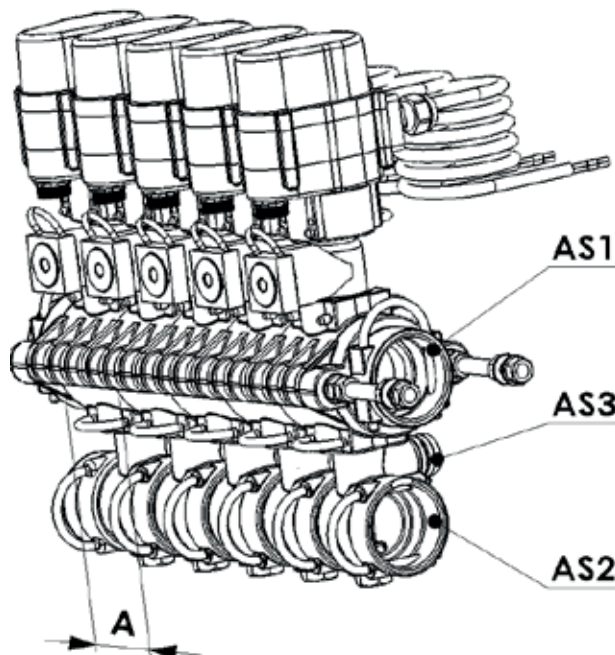
Options:

- Special pressure gauge connection for testing equipment
- Additional bypass-valves
- Individual alignment of the gear motor
- Valve assemblies available to individual requirements and can be delivered just in time for production line use

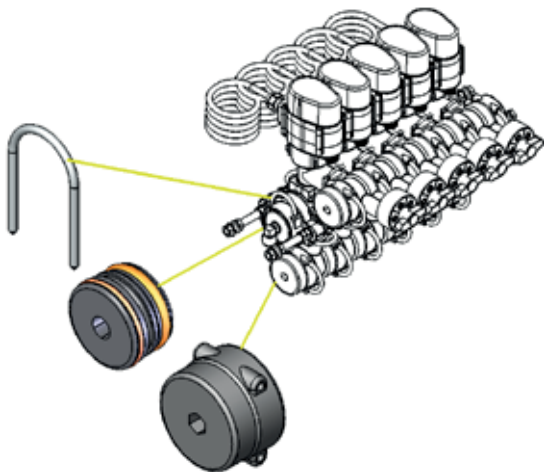
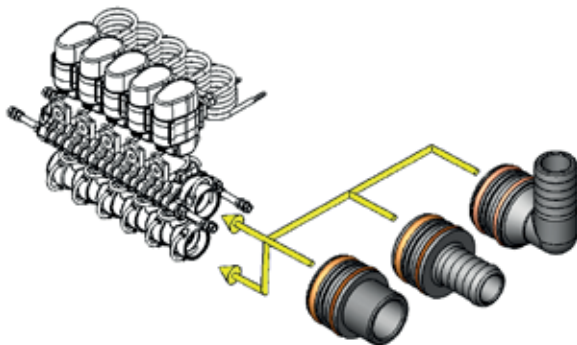
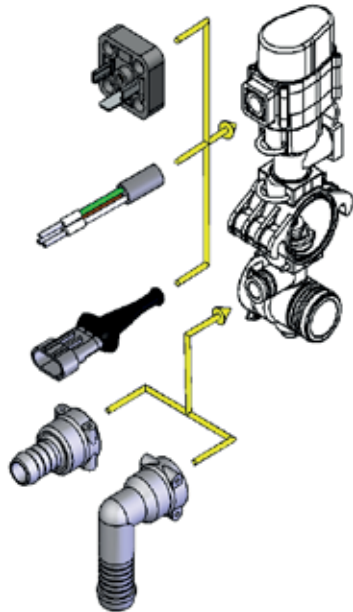
AS1	AS2	AS3	A mm
40	40	24	51

Each valve assembly contains:

- 1x Dummy plug AS40/G $\frac{1}{4}$ female cpl
- 1x Blind cap at the pressure relief canal
- 1x Safety pin AS40



Electrical Boom Section Valve . Modular-Fit Valve



Electrical connections	
Plug-in connection DIN-EN 175 301	
Cable 1m	
AMP - plug	
Electrical drive	
Three wire, control by relay control signal (-): 12Volt/0Volt=closed/open (7 mA)	
Three wire, control by relay control signal (+): 12Volt/0Volt=open/closed (7 mA)	
Two wire direct control - plus/minus	
Recommended Fittings AS24	
Article-No.	Type
34230	Female hose tail AS24/ø15
34229	Female hose tail AS24/ø17
34227	Female hose tail AS24/ø20
80349	Female hose tail AS24/ø15/90°
80350	Female hose tail AS24/ø20/90°
47094	Female hose tail AS24/AS20 cpl
Recommended Fittings AS40	
80361	Plug-in hose tail AS40/G1/male cpl
80398	Plug-in hose tail AS40/G1¼/male cpl
04595	Plug-in hose tail AS40/ø25 cpl
04581	Plug-in hose tail AS40/ø33 cpl
09184	Plug-in hose tail AS40/ø25/90° cpl
08874	Plug-in hose tail AS40/ø33/90° cpl
More Fittings: see AS plug-in fittings, AS40	