



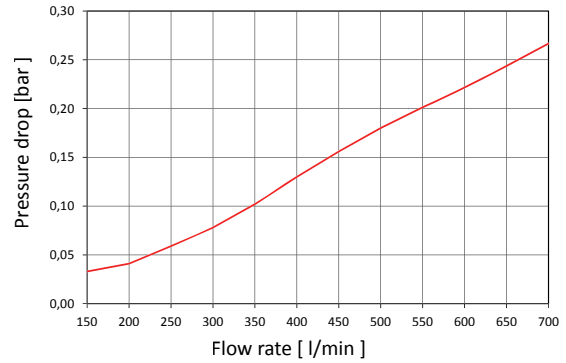
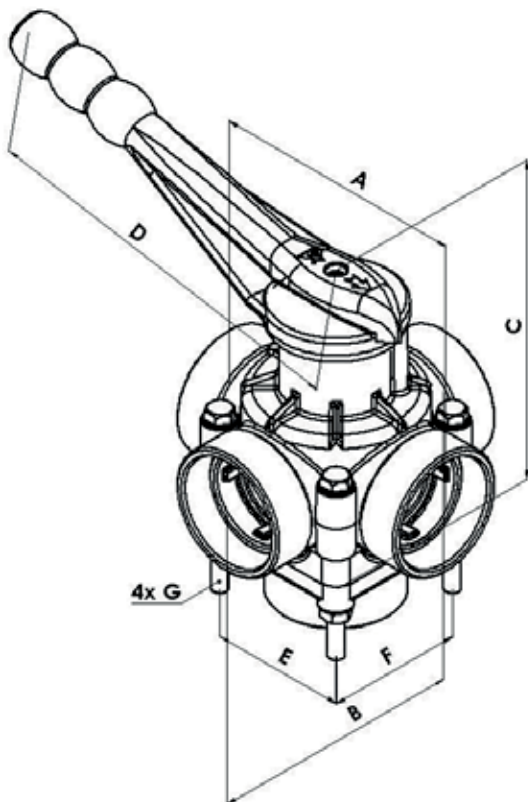
Ball valves · Manually 5-way 2", 15 bar

Manually 5-way ball valve 2", 15 bar

- individual adjustable seals
- high wear resistance
- ball bearing shaft
- retrofitable with electric drive
- optional: special connectors are available
- fittings for $\varnothing 60$ mm hoses
- Body made from liquid fertilizer proof anodised aluminium

Operating time pressure:	max. 15 bar
Flow rate:	max. 700 l/min
Inlet- \varnothing :	2"
Outlet- \varnothing :	2"
Ball valve:	POM+PTFE
Material:	POM GF 25, PA, FPM and NBR seals

A	B	C	D	E	F	G
175	175	270	220	93	93	M10
Specified in mm						



Article-No.	Type
83091	5-way ball valve 2", 15 bar
Recommended fittings	
47713	Adapter for connector KH2/D1=47 cpl
47883	Adapter for connector KH2/D1=63 cpl
47737	Fitting G2/female cpl
47735	Fitting G2/male/L=47,5 cpl
47736	Fitting G2/male/L=75 cpl
82648	Nut G2 $\frac{3}{4}$ for 2" pressure valve
More Fittings: see section AS Fittings	

