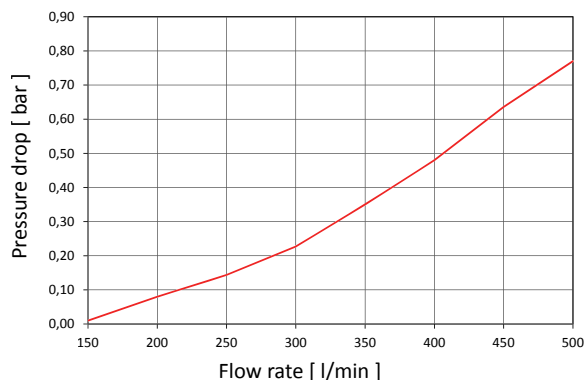
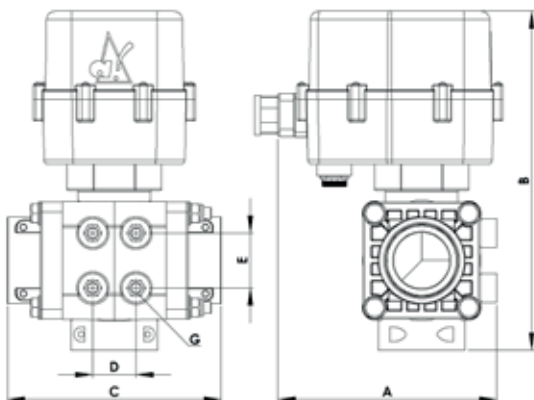
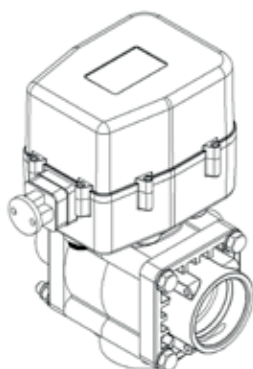




Electrical 3-way ball valve $\phi 39$ mm bottom feed

- innovative sealing concept with modified Polyamid for increased service life
- gear drive for the valve mounted on low friction bearing
- compact with large 39 mm nominal width
- very short cycle time of 470 ms.
- optional: electric control with potentiometer

Operating time pressure: max. 15 bar
 Flow rate: max. 500 l/min
 Minimum diameter: 32 mm
 Ball valve: Stahl: 1.4305
 Nominal voltage: 12 Volt / 24 Volt
 Power input: 3,5 A bei 20 bar
 Switch time: 450 ms
 altek plug in system: AS50
 Seals: modified polyamid
 Material: POM GF 25



| Article-No. | Type | | | | | |
|--|---|-----|----|----|---|--------|
| 83160 | Ball valve 3-way, electrical $\phi 39$ mm 2 wire | | | | | |
| 83173 | Ball valve 3-way, electrical $\phi 39$ mm 3 wire | | | | | |
| Recommended fittings | | | | | | |
| 17157 | Plug-in hose tail AS50/ $\phi 46$ cpl | | | | | |
| 17330 | Plug-in hose tail AS50/ $\phi 46/90^\circ$ cpl | | | | | |
| 22040 | Plug-in hose tail AS50/ $\phi 39$ cpl | | | | | |
| 24891 | Plug-in hose tail AS50/ $\phi 39/90^\circ$ cpl | | | | | |
| 80610 | Plug-in hose tail AS50/G2/male cpl | | | | | |
| 82945 | Plug-in hose tail AS50/AS40 cpl | | | | | |
| More Fittings: see section Fittings AS50 | | | | | | |
| A | B | C | D | E | F | G |
| 152 | 235 | 148 | 30 | 38 | - | 4 x M8 |
| Specified in mm | | | | | | |

